

9 Instructions when installing an extended downrod

- Loosen lower canopy and slide up downrod.
- Disconnect the quick connector (which connects the downrod to the motor assembly).
- Remove split pin and downrod securing screw.
- Remove existing downrod from motor assembly.
- Remove upper and lower canopies from existing downrod.
- Assemble upper and lower canopies onto the new / extended downrod.
- Install extended downrod onto motor assembly.
- Tighten downrod securing screw and ensure split pin is replaced.
- Connect the quick connector (from downrod) to motor assembly. Ceiling fan and downrod must be earthed.
- Set lower canopy in place and tighten onto downrod.

10 Product Notes

- This product must be installed by a licensed electrician and used as per these instructions.
- This product contains no serviceable parts and no attempt should be made to repair this product. If the product is faulty it should be discarded.
- This product must be cleaned periodically with a damp cloth. Cleaning agents and solvents should never be used.
- This product has been designed to operate in ambient temperatures between 5°C to 40°C.
- This product must be securely attached to a structural member for support. Fixing means (hooks & brackets) must be fixed to the structural member with sufficient strength to withstand 4 times the weight of the ceiling fan.
- During installation the mains supply wiring terminals should be tightened between 0.4Nm and 0.6Nm. Over-tightening may damage the terminal. Under-tightening may result in hot joints.
- This product is not intended to be exposed to direct weathering. It is not suitable for installation in hazardous and/or corrosive areas. It is not suitable for marine environments such as areas subjected to salt spray and/or mist.
- This product is not intended for use by young children or infirm persons without supervision. Young children should be supervised to ensure that they do not play with the appliance.
- Only those accessories as supplied by Legrand are designed for operation with the fan.
- Extended exposure to UV rays (such as exposure to direct sunlight) may cause discolouration of this product.
- The material in this product may vary in colour from batch to batch. Colour matching from one batch to another cannot be guaranteed.
- This product has been designed to operate on a nominal supply voltage of 230V -240V a.c. 50 Hz.
- After installation this product must be tested as required by the appropriate government and/or statutory regulations.
- This product utilises intellectual property in the form of registered designs, trademarks, and/or patents. Such intellectual property remains the property of Legrand in all cases.
- Legrand reserves the right to modify the specification of this product at any time.

Ceiling Sweep Fans		Weight
CF9HWE	Ceiling sweep fan, 900mm, White, Hang-sure	4.4 kg
CF9JBS	Ceiling sweep fan, 900mm, Brushed Stainless Steel, J-hook	4.4 kg
CF9HBS	Ceiling sweep fan, 900mm, Brushed Stainless Steel, Hang-sure	4.4 kg
CF12JWE	Ceiling sweep fan, 1200mm, White, J-hook	5.6 kg
CF12HWE	Ceiling sweep fan, 1200mm, White, Hang-sure	5.6 kg
CF12JBS	Ceiling sweep fan, 1200mm, Brushed Stainless Steel, J-hook	5.6 kg
CF12HBS	Ceiling sweep fan, 1200mm, Brushed Stainless Steel, Hang-sure	5.6 kg
CF14JWE	Ceiling sweep fan, 1400mm, White, J-hook	6 kg
CF14HWE	Ceiling sweep fan, 1400mm, White, Hang-sure	6 kg
CF14JBS	Ceiling sweep fan, 1400mm, Brushed Stainless Steel, J-hook	6 kg
CF14HBS	Ceiling sweep fan, 1400mm, Brushed Stainless Steel, Hang-sure	6 kg
CF12J4WE	Ceiling sweep fan, 1200mm, White, J-hook, 4-blade	5.6 kg
CF12H4WE	Ceiling sweep fan, 1200mm, White, Hang-sure, 4-blade	5.6 kg
CF14J4WE	Ceiling sweep fan, 1400mm, White, J-hook, 4-blade	6 kg
CF14H4WE	Ceiling sweep fan, 1400mm, White, Hang-sure, 4-blade	6 kg

Light Kits	
CFOLWE	Oyster light kit, White
CFOLBS	Oyster light kit, Brushed Stainless Steel
CFCLWE	Clipper light kit, White
CFCLBS	Clipper light kit, Brushed Stainless Steel
CFOLLEDWE	LED Dimmable Oyster light kit, White
CFOLLEDBS	LED Dimmable Oyster light kit, Brushed Stainless Steel

Downrods	
CFDR750HWE	Downrod 750mm, White, Hang-sure
CFDR750HBS	Downrod 750mm, Brushed Stainless Steel, Hang-sure
CFDR1500HWE	Downrod 1500mm, White, Hang-sure
CFDR1500JWE	Downrod 1500mm, White, J-hook

Remote Control Kits	
CFREMOTEH	Remote control kit, Hang-sure



Ceiling Sweep Fans Instruction Manual 3 & 4-Blade Models



Box contents

- Motor assembly
- 3-speed fan controller
- Mounting bracket
- 3 or 4 blades
- Screw pack
- Instruction sheet

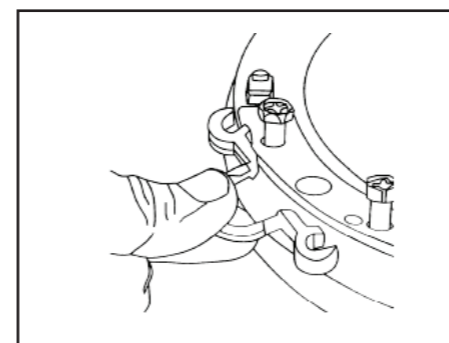
PLEASE READ ALL INSTRUCTIONS CAREFULLY.
RETAIN FOR FUTURE REFERENCE.
INSTALLATION MUST BE CARRIED OUT
BY A LICENSED ELECTRICAL CONTRACTOR.

Important considerations

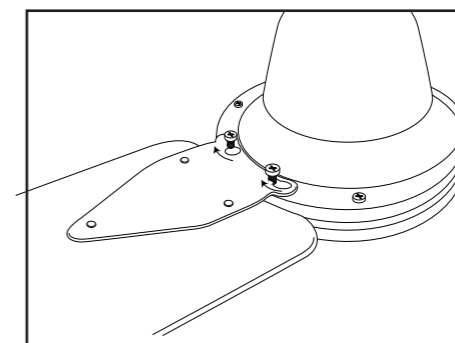
- The J-Hook mounting style is designed to suit flat ceilings. The Hang-sure style is suitable for both flat and inclined ceilings (up to maximum angle of 20°).
- This fan has been supplied with a 3 speed fan controller. It is designed to operate a single fan only.
- The fan is to be installed so that the fan blades are more than 2.1m above floor level. Fan blades should have clearances >300mm from any obstacles.
- During installation a switch disconnection should be incorporated in the supply circuit.
- Lamps used in the light kits must not be rated more than 60W (x2).
- If using Remote Control kit, use approved light kits from the HPM range and ensure the lamps are compatible.
- Blades provided are paired for individual fan and must not be mixed with blades from other fans. This may affect performance and cause vibration/wobble. If unusual oscillating movement is observed, stop using the ceiling fan immediately and contact Legrand Australia, its service agent or a suitably qualified person.

1 Fix fan blades to motor assembly

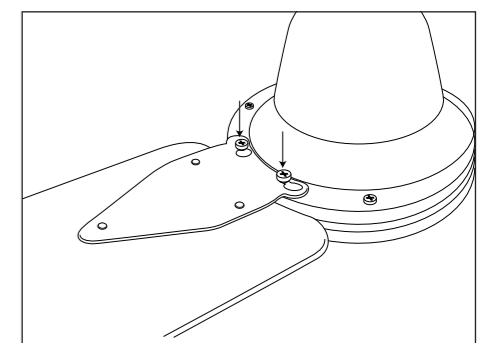
A. Remove plastic spacer.



B. Slide blade over screws.



C. Tighten screws.



Note : Make sure that the blades are oriented as shown above.

Warranty

Legrand warrants this product for a period of 3 years from the date of purchase. These goods come with guarantees that cannot be excluded under the Australian and New Zealand Consumer Laws. You are entitled to a replacement or a refund for a major failure and for compensation for any other reasonably foreseeable loss or damage. You are also entitled to have the goods repaired if the goods fail to be acceptable quality and the failure does not amount to a major failure.

See the Warranty card enclosed with this product for further details.

Customer Service

For all Customer Service and Technical Support please call Monday to Friday during business hours.

Legrand Australia
1300 369 777
www.hpm.com.au

Legrand New Zealand
0800 476 009
www.hpm.co.nz

ABN: 31 000 102 661



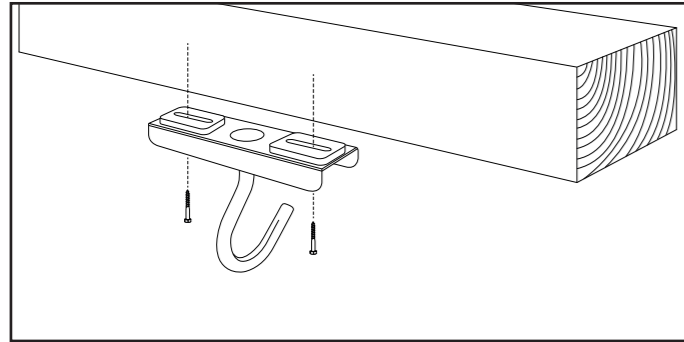
LET1369AF
01_2021

2 Fixing of mounting bracket to ceiling

Select a suitable location for the fan. Use the 2 coach screws provided (or similar) to make an attachment to a solid structural member. Ensure the mounting method is capable of supporting a hanging weight of 30kg.

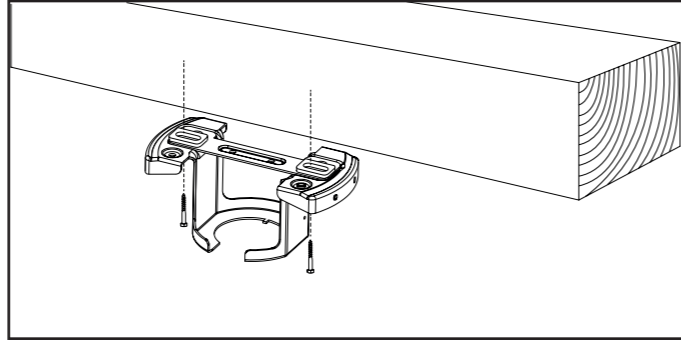
J-Hook Mounting

Fix mounting bracket (supplied) firmly to timber or concrete. Ensure rubber feet are in place before fixing bracket.



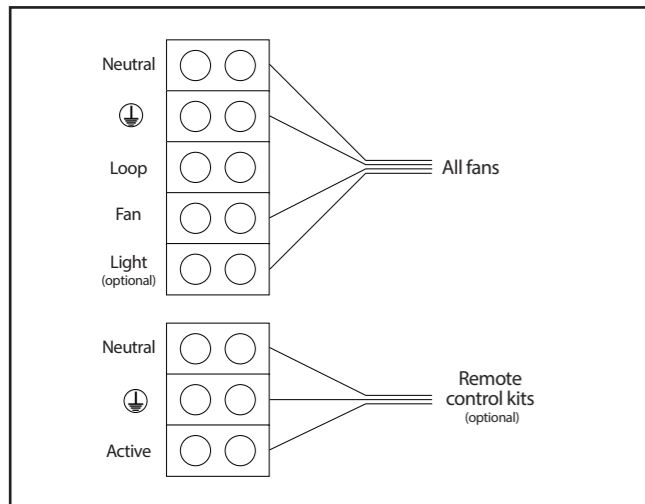
Hang-sure Mounting

Fix mounting bracket (supplied) firmly to timber or concrete.

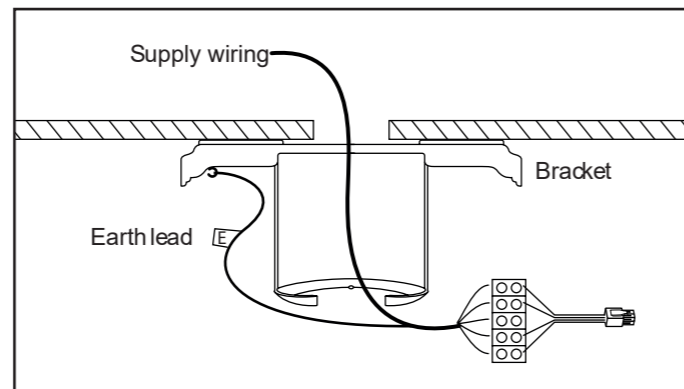


3 Supply connection to fan

A. Connect supply wiring to the terminal block provided. If you are not fitting a light kit to the fan, please disregard the light connection.



B. Connect Earth (E) lead of bracket to Protective Earth (⊕) wiring terminal. (Hang-sure attachments only).

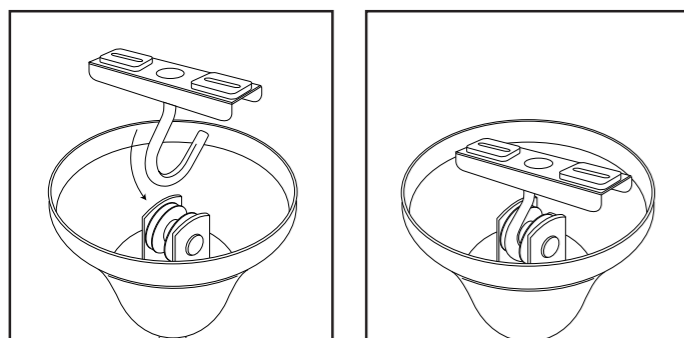


Refer to instructions for Remote Control Kits (CFREMOTEH) for installation and mounting requirements.

4 Hanging the fan on the bracket

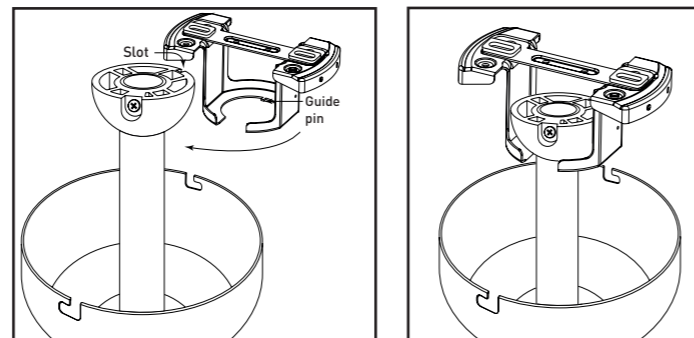
J-Hook Bracket

Hang the fan on the J-Hook. Ensure that all wires are clear of the rubber roller.



Hang-sure Bracket

Hang the fan on the bracket. Ensure bracket guide pin is fitted into slot on ball joint and that all wires are clear of the ball joint.

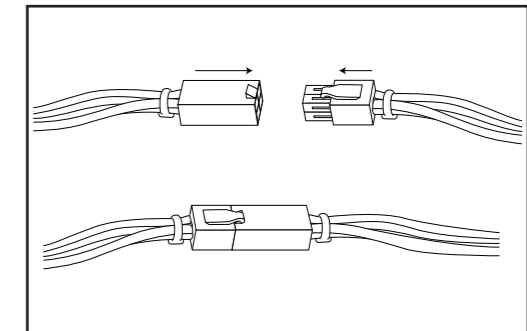
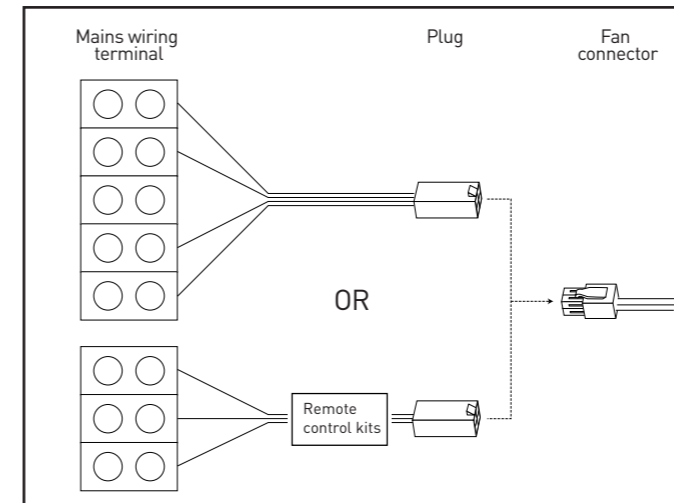


5 Connecting the light kit (optional)

If you are attaching one of the light kits, make the necessary mechanical and electrical connections to the light fitting before completing step 6 below.

6 Connect the quick connectors

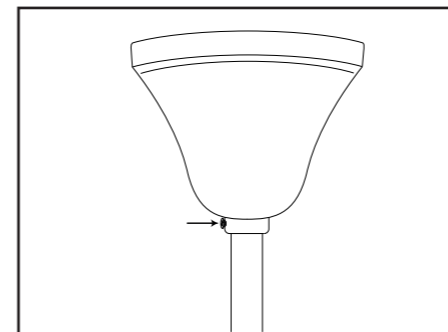
Click the quick connect plug into the socket connector from the fan.



7 Slide upper canopy into position and secure

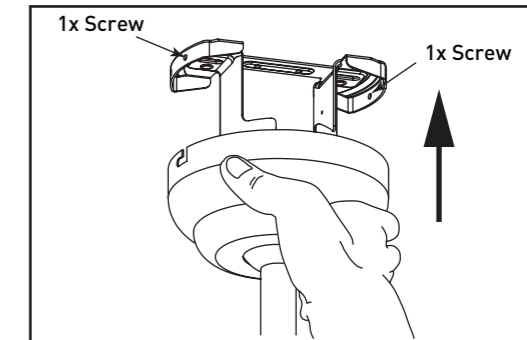
J-Hook Canopy

Tighten with a screw to the downrod.



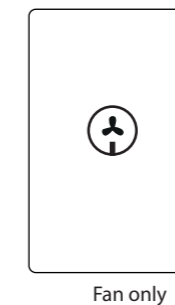
Hang-sure Canopy

Tighten with 2 screws to the bracket. Make sure that wires are not trapped in between.



8 Connecting the speed controller

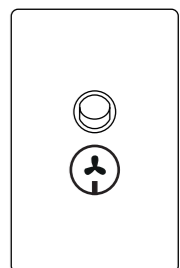
The HPM ceiling sweep fan comes complete with a capacitive 3-speed controller on a wall plate with standard 84mm fixing centres. Please refer to instructions supplied with the speed controller for installation.



Fan only

REQUIRED FOR LIGHT KIT

If installing a light kit then you will require additional components (not supplied):
Excel Life 2-gang grid plate (ED770/2GPLWE)
Excel Life wall switch (EM770WE)



Fan with light

If intending to use a remote control kit (not supplied) then do not mount the wall plate.